

OTC18_M

CEILING MOUNTED TUBE CRANE



The OTC18M ceiling mounted tube crane highlights an advanced, technologist-friendly touchscreen console providing seamless operation of your radiographic system by displaying tube angulation and SID values. Color-coded movement identification buttons provide optimal precision when setting up views. Peaceful and effortless movements are controlled by an electromagnetic braking system enabling fast and secure readjustments of the tube head. Its overhead horizontal and transverse tracks provide technologists with limitless imaging procedure capability, including cross-table laterals and other challenging views.

Key Highlights

Technologist-Friendly 10.4" Touchscreen Display

- Displays angulation, SID, and optional access to generator integrated control values

Manual Collimator (Automatic optional)

- Selects proper field-of-view for each exam anatomy using pre-programmed APR settings

Five-Tier Telescopic Column

- Extensive movement for complete head-to-toe imaging including weight bearing and recumbent

Electromagnetic Brake System

- Telescopic lift and transverse track

All Lock Release Sensor

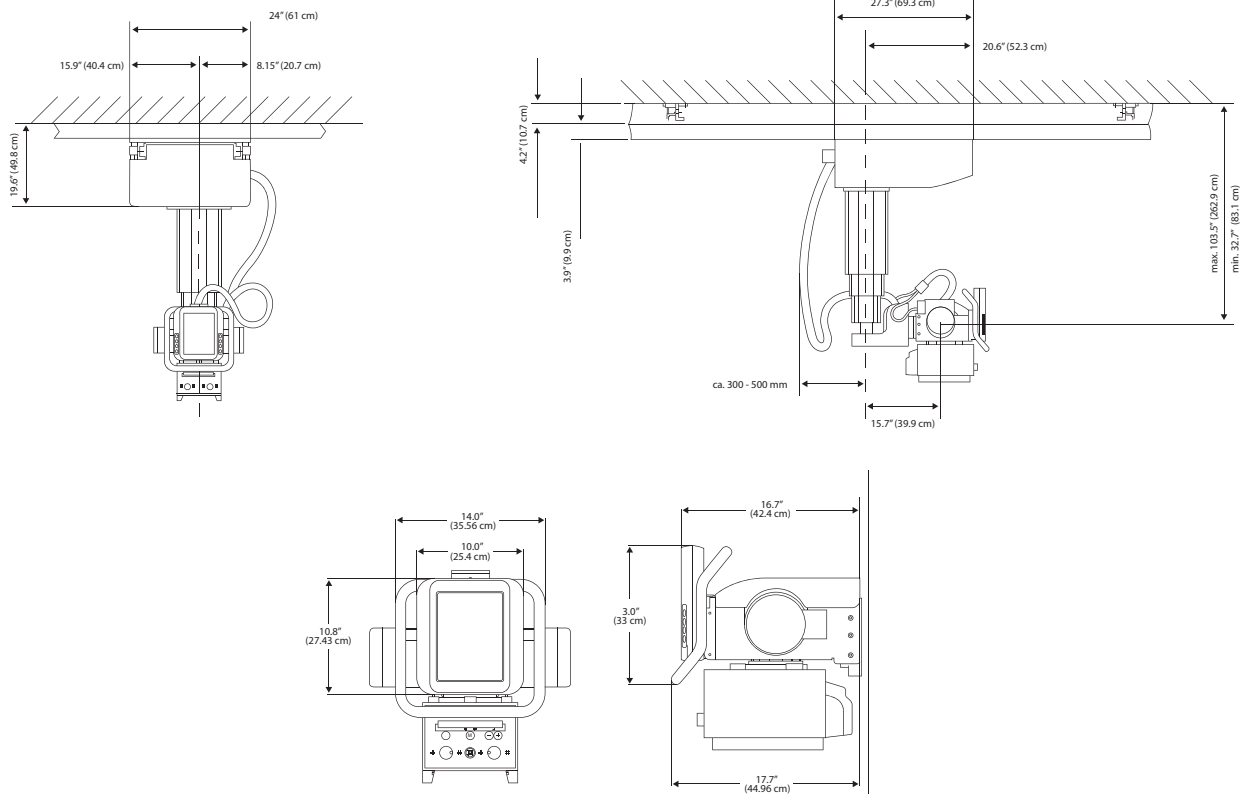
- Just place hand on bottom handle to release transverse, longitudinal, and vertical locks

Technical Specifications

* All specifications subject to change without notice

OTC18M Tube Crane

Vertical telescopic travel range:	70.8" (180 cm) with minimum 32.7" (83 cm) focal spot to ceiling distance / 15.5" (39.4 cm) focal spot to floor distance with a 9' ceiling height
Longitudinal travel range:	Standard 14' rail included, 136.2" min. (346 cm) With optional rail extensions: 219.9" max (558.5 cm)
Transverse travel range:	Standard 10' Bridge with 9.8" (0.3 cm) transverse carriage: 86.6" min. (220 cm) With 13' bridge & 13.1" (0.4 cm) transverse carriage: 139.7" max. (355 cm)
Longitudinal detent positions:	Configurable during installation
Tube rotation range (horizontal axis):	-120°, +120°, Detent positions at -90°, 0°, +90°
Tube rotation range (vertical axis):	-182°, +154°, Detent positions at -180°, -90°, 0°, +90°
Weight:	Approximately 831 lbs. (377 kg) with tube & collimator
Power requirements:	110/240 VAC 50/60 Hz, 700 VA
Options:	<ul style="list-style-type: none"> - Automatic collimator - DAP (Dose Area Product) - Full system integration (with or without generator control)



www.delmedical.com

New York
28 Calvert Street
Harrison, NY 10528
(Tel) 800.261.9808
(Fax) 914.835.6111

Illinois
241 Covington Drive
Bloomington, IL 60108
(Tel) 800.800.6006
(Fax) 847.288.7011

DEL MEDICAL

#9000-OTC18M (TS) 02.19